

TESA-HITE magna 400 and 700

Made to withstand severe workshop conditions

Emanating from a well-proven TESA technology, both TESA-HITE magna 400 and 700 are equipped with the patented TESA magna μ system. They are designed to remain unaffected even in the toughest conditions (water and oil splashing, dust particles).

They have exceptional features that make them indispensable for the workshop while also offering the most favourable price-performance relationship. Robust and dependable, their modern design provides the highest resistance for use close to the production area.

Each height gauge is battery-powered and serve to measure height or step dimensions, diameters, centre-to-centre distance of bores or grooves, width of nuts, and much more.



- Wide application range, two sizes available with measuring span to 415 mm / 16 in or 715 mm / 28 in, respectively.
- Electronics totally protected against oil and water splashing or dust particles (IP65).
- Control panel with numerical display to 0,001 / 0,005 / 0,01 mm or 0,0001 / 0,0002 / 0,001 in.
- Dynamic probing of the workpiece with a constant measuring force.
- Easiness, high reliability when checking bores or shafts using TESA's unique device for automatic detection of the culmination point – patented.
- Acoustic signal to acknowledge value capture, also conveniently programmable.
- Ability to measure parallelism errors.
- TESA's magnetic system, guaranteeing correct operating even in harsh workshop conditions – patented.
- Large LC display, also with symbols for the measuring functions.
- Zero-setting anywhere within the measuring range.
- PRESET function for entering any given value.
- Metric/inch conversion.
- RS 232 data output.
- SCS calibration certificate provided with each height gauge.



83 x 49 mm
LC display,
7-decade plus
minus sign. Also with
graphical symbols for all
active functions.



0,001/0,005/
0,01 mm or
0,0001/0,0002/
0,001 in



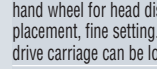
Metric/Inch
conversion
Measuring span,
application range
and precision:
see relevant table on
page N-5.



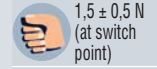
Nickel plated
gauge base
(chemical coating)



Magnetic
scale



(12 ± 1,5) x
10⁻⁴ K⁻¹



Probing head
mounted on a
ball-bearing,
hand wheel for head dis-
placement, fine setting. Head
drive carriage can be locked.



500 mm/s
20 in/s



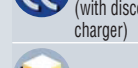
1,5 ± 0,5 N
(at switch
point)



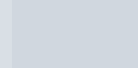
RS 232



Rechargeable
batteries, 6V



≈ 60 h



10°C to 40°C

-10°C to 60°C

100%

IP55 or IP65 for
both electronics
and measuring
system (IEC 60529)

See table
on page N-5

EN 61326,
Class B
(with disconnected
charger)

Shipping
packaging



Identification number

Declaration of conformity

SCS calibration certificate

TESA-HITE magna 400 / 700



00730047 TESA-HITE magna 400 height gauge
Measuring span 415 mm / 16 in
Application range 0 ÷ 570 mm / 0 ÷ 22 in

00730059 TESA-HITE magna 700 height gauge
Measuring span of 715 mm / 28 in
Application range of 0 ÷ 870 mm / 0 ÷ 34 in

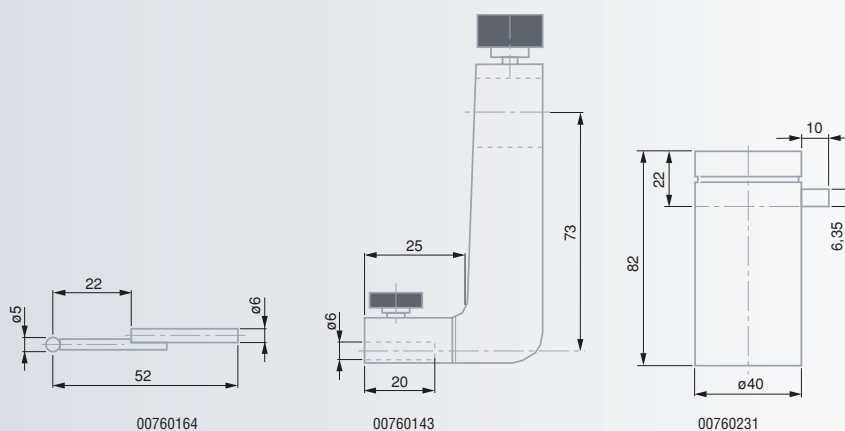
Each height gauge is supplied with the following standard accessories:

- 00760143** 1 Standard probe insert holder
- 00760164** 1 Standard probe insert with a 5 mm dia. tungsten carbide ball tip
- 00760231** 1 Master piece for establishing the probe constant, nominal dimension to 6,350 mm / 0.250 in
- 00760157** 1 Rechargeable battery, 6V
- 04761054** 1 Mains adapter, 100 ÷ 240 Vac / 50 ÷ 60Hz
- 04761055** 1 Cable EU for mains adapter
- 04761056** 1 Cable US for mains adapter

Technical Data

	TESA-HITE magna		
		400	700
	mm in	415 16	715 28
With standard accessory	mm in	0 ÷ 570 0 ÷ 22	0 ÷ 870 0 ÷ 34
With probe insert holder No. 00760057	mm in	0 ÷ 625 0 ÷ 24	0 ÷ 925 0 ÷ 36
With probe insert holder No. S07001622	mm in	0 ÷ 795 0 ÷ 31	0 ÷ 1095 0 ÷ 43
With standard accessory	µm in	< 8 < 0.0003	< 8 < 0.0003
With standard accessory		on flat surfaces: 2δ = < 3 µm / < 0.00015 in into bores: 2δ = < 5 µm / < 0.00020 in	
	kg	15	18

Standard Accessories for TESA-HITE magna 400 / 700



Optional Accessories for TESA-HITE magna 400 / 700

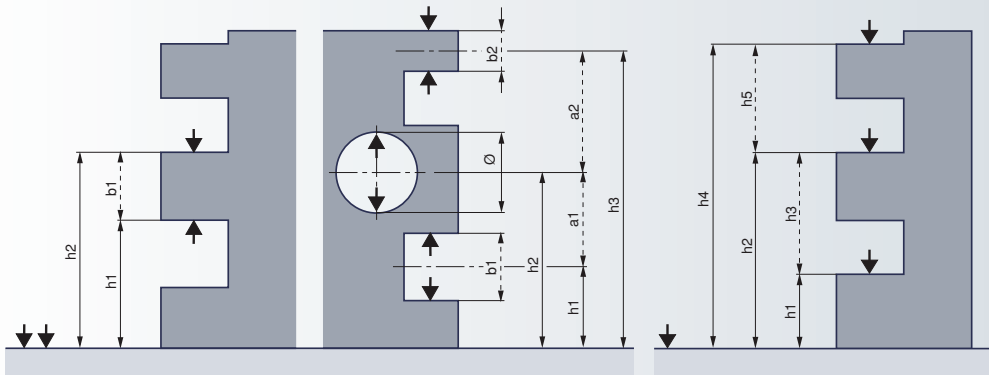


04761052 RS 232 connecting cable for PC and TESA PRINTER SPC

04761063 Connecting cable Sub-D 9pin and USB for PC

Additional accessories: see page N-27

One-Dimensional Measurement



Measurement of Parallelism

